

## PRODUCT SHEET & SPECIFICATIONS

# n.FORM™ CEILING MOUNTED STROBE

MODELS: STROBE-CM-AMB / STROBE-CM-BL / STROBE-CM-RED/ STROBE-CM-GR



### FUNCTION

The ceiling mounted strobes offer dependable visual alarms for warning and emergency notification.

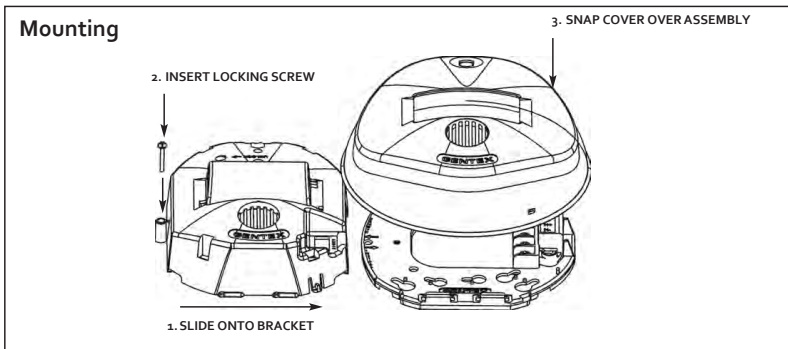
Applications include emergency communication, severe weather, emergency response and many more.

The 24VDC units are available in lens colors of amber, blue, green and red. The strobes offer tamper proof field selectable candela options of 15, 30, 75, 95 and 115 candela.

The strobes include a 4" mounting plate and also feature a locking mechanism that secures the product to the bracket without showing any screws. ANSI/UL1638 and ANSI/UL464 listed

### FEATURES AND CAPABILITIES

- + Nominal voltage 24VDC
- + Tamperproof field selectable candela options of 15, 30, 75, 95, and 115
- + Unit Dimensions: 6" (15.24 cm) x 2.6" (6.604 cm)
- + Lens colors available: amber, blue, green and red
- + Input terminals accept 12 to 18 AWG
- + Faceplate available in off-white



### ORDERING INFORMATION

Model Number/Body Color/Lens Color  
+ STROBE-CM-AMB / White / Amber  
+ STROBE-CM-BL / White / Blue  
+ STROBE-CM-GR / White / Green  
+ STROBE-CM-RED / White / Red

### CURRENT RATINGS

Amber, Blue and Green Lens Strobe Current Ratings	
Candela	UL Max <sup>1</sup>
15	124mA
30	124mA
75	139mA
95	205mA
115	212mA

Red Lens Strobe Current Ratings	
Candela	UL Max <sup>1</sup>
15	124mA
30	124mA
75	212mA
95	283mA
115	313mA