

PRODUCT SHEET & SPECIFICATIONS

n.FORM™ OUTDOOR PAGING SPEAKER

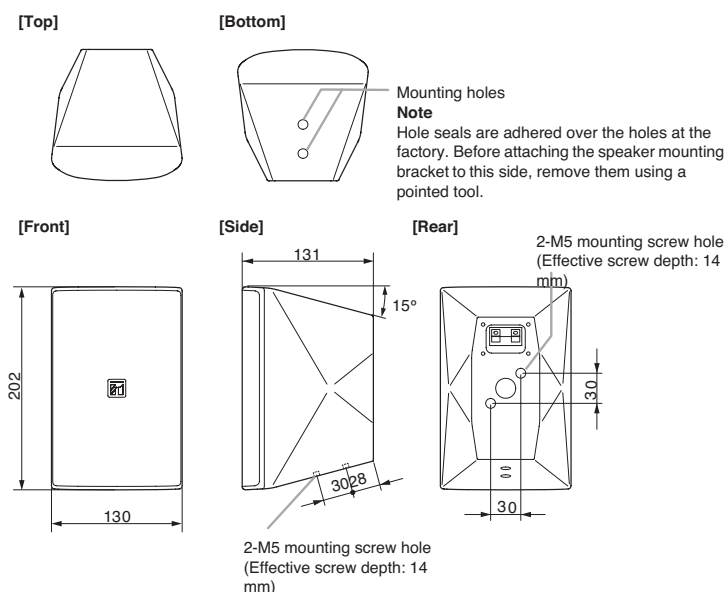
MODEL WPSPKR-15



FUNCTION

The Outdoor Paging Speakers are compact two-way speaker systems designed for high efficiency, wide range, and high power input handling capability. These speaker systems can be installed in a manner ideal for the location and intended application.

DIMENSIONAL DIAGRAM



FEATURES AND CAPABILITIES

- + 90° horizontal x 90° vertical wide directivity high-frequency horn.
- + Supplied bracket permits mounting to a wall, ceiling, or an optional speaker stand.
- + feature a waterproof design (IPX4 standard) for protection from any adverse effects of outdoor installations.

DIMENSIONS

- + 130 (w) x 202 (h) x 131 (d) mm

WEIGHT

- + 2 kg

ENCLOSURE

- + Bass-reflex type
- + Mesh Speaker Grill:
Surface-treated steel plate, black, anti-rust paint

WATER RESISTANCE

- + IPX4

INPUT TERMINALS

- + Push in Terminals

PRODUCT SHEET & SPECIFICATIONS

OUTDOOR PAGING SPEAKER

MODEL WPSPKR-15

FREQUENCY RESPONSE

+ 85 – 20,000 Hz, –10 dB at installation in a semianechoic field

SPEAKERS

+ Woofer: 10 cm cone-type
+ Tweeter: balanced dome-type

DIRECTIVITY ANGLE

+ Horizontal: 90°, Vertical: 90°

CROSSOVER FREQUENCY

+ 5 kHz

OPERATING TEMPERATURE

+ -10 °C to +50 °C

OUTPUT SOUND PRESSURE LEVEL

+ 87 dB (1 W, 1 m) at installation in a semianechoic field

RATED IMPEDANCE

+ 670 Ω (15 W), 2 k Ω (5 W), 3.3 k Ω (3 W), 10 k Ω (1 W)

POWER HANDLING CAPACITY

+ 15W