



INSTALLATION **MANUAL**

OMNICAST SPEAKER

FEATURES:

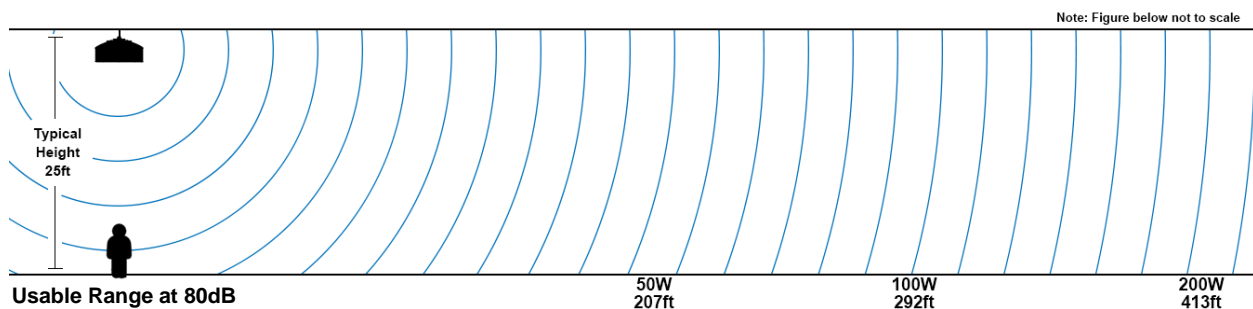
- UL 1480, ULC S541, & CSFM Listed
- Indoor or outdoor applications
- Installation via 3/4" NPSM threaded coupler
- Electrical connections provided via wire lead (18 AWG) extended through mounting coupler
- 70V drive
- 50W, 100W, & 200W tap settings
- 129dB SPL
- 350Hz to 5kHz frequency range (general signaling)
- Output optimized for human voice
- Sharp warning tones
- Push to reset circuit breaker



**Omnicast shown in white
(additional colors available)**

INTRODUCTION:

The Omnicast is intended for indoor and outdoor audio signaling and notification. The 70V tap settings have been tested with and are intended to be powered off standard OEM fire panel amplifiers or other commercially-available 70V amplifiers. Its 360-degree, omni-directional, acoustic beam makes it an ideal notification tool for large indoor and adjacent outdoor areas. Its best-in-class acoustic coverage allows for fewer units to be installed in large indoor areas, lowering installation and long-term maintenance costs while also improving intelligibility and esthetics. Its best-in-industry voice quality and intelligibility, combined with sharp and high impact tone capability, make it the right choice for ensuring that messages critical to personnel safety and security are heard and understood.



SPECIFICATIONS:

	50W	100W	200W
UL 1480 (Reverberation) at 10 feet	106.3dB	108.5dB	109.9dB
ULC S541 (Anechoic) at 3 meters	99.2dB	101.7dB	103.6dB
Max SPL RMS Broadband at 100 feet	86dB	89dB	92dB
Usable Range at 80dB	207 feet	292 feet	413 feet

SOUND OUTPUT RATINGS:

Speaker Model 70V Input	Speaker Size	Sound Pressure Level Directional Losses		
			-3dBA	-6dBA
G1085	18-3/4" DIA x 10-1/2" H	Vertical	±35°	360°
		Horizontal	360°	360°

INTERFACE REFERENCE:

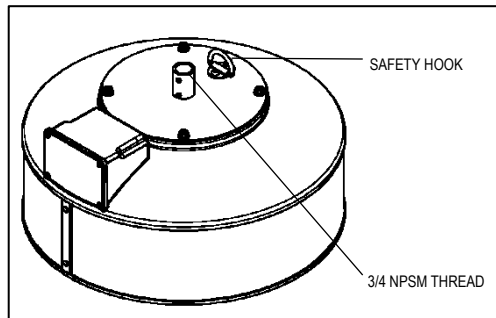


Figure 1

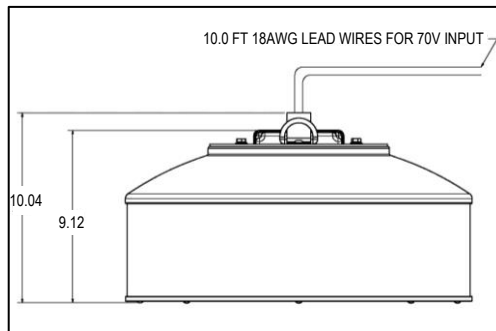


Figure 2

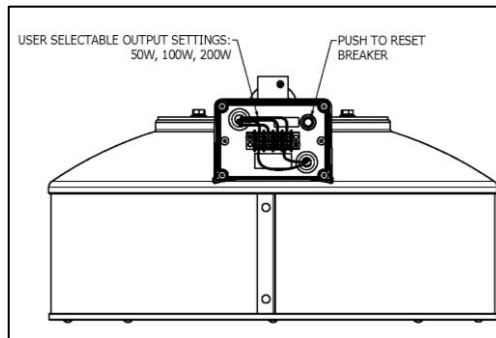
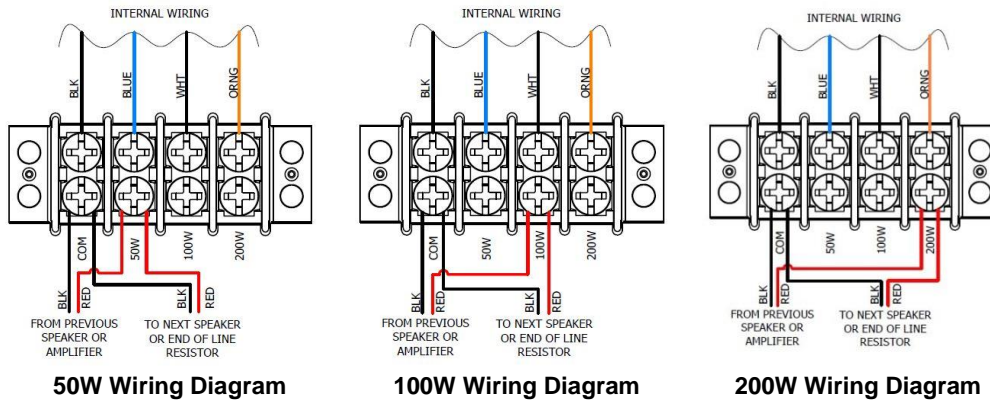


Figure 3

WIRING REFERENCE:

The Omnicast has two 10-foot long 18AWG wires exiting through the mounting coupler on the top of the unit (see Figure 2 in Interface Reference). These two wires are the positive (red) and negative (black) 70V drive input.

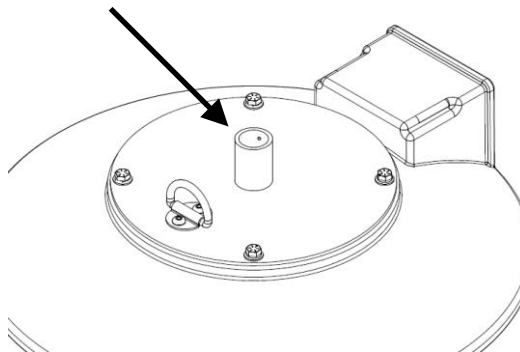
The tap selection is accessible behind the cover plate on the top of the unit (see Figure 3 in Interface Reference). A T-20 torx driver is required to remove the panel. The Omnicast ships with 50W tap selected.



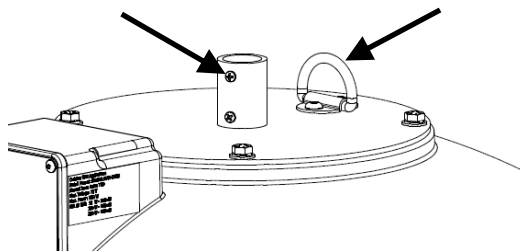
INSTALLATION REFERENCE:

The Omnicast is intended to be mounted/suspended from the coupler on the top plate, i.e., hanging from a ceiling. Although the unit can be hung from a ridged mount, hanging from a high bay hook or a swivel hanger will allow proper leveling. The recommended operating height is greater than 12 feet. Contact the manufacturer for acoustic modeling.

- 1) To mount the Omnicast, take the black and red wires coming out of the conduit and feed them through the rigid conduit that is being used to mount the unit (customer supplied).



- 2) Screw the rigid conduit onto the unit and tighten the top Phillips head screw as shown below.



- 3) A D-ring has been provided to secure a safety cable to the Omnicast. The safety cable is a customer-supplied item.

Lencore Acoustics Corp.
1 Crossways Park Drive West
Woodbury, NY 11797
516-682-9292
info@lencore.com
www.lencore.com