



INSTALLATION **MANUAL**

Tangent Speaker

MODELS: G950/G900/G955/G680

INSTALLATION INSTRUCTIONS

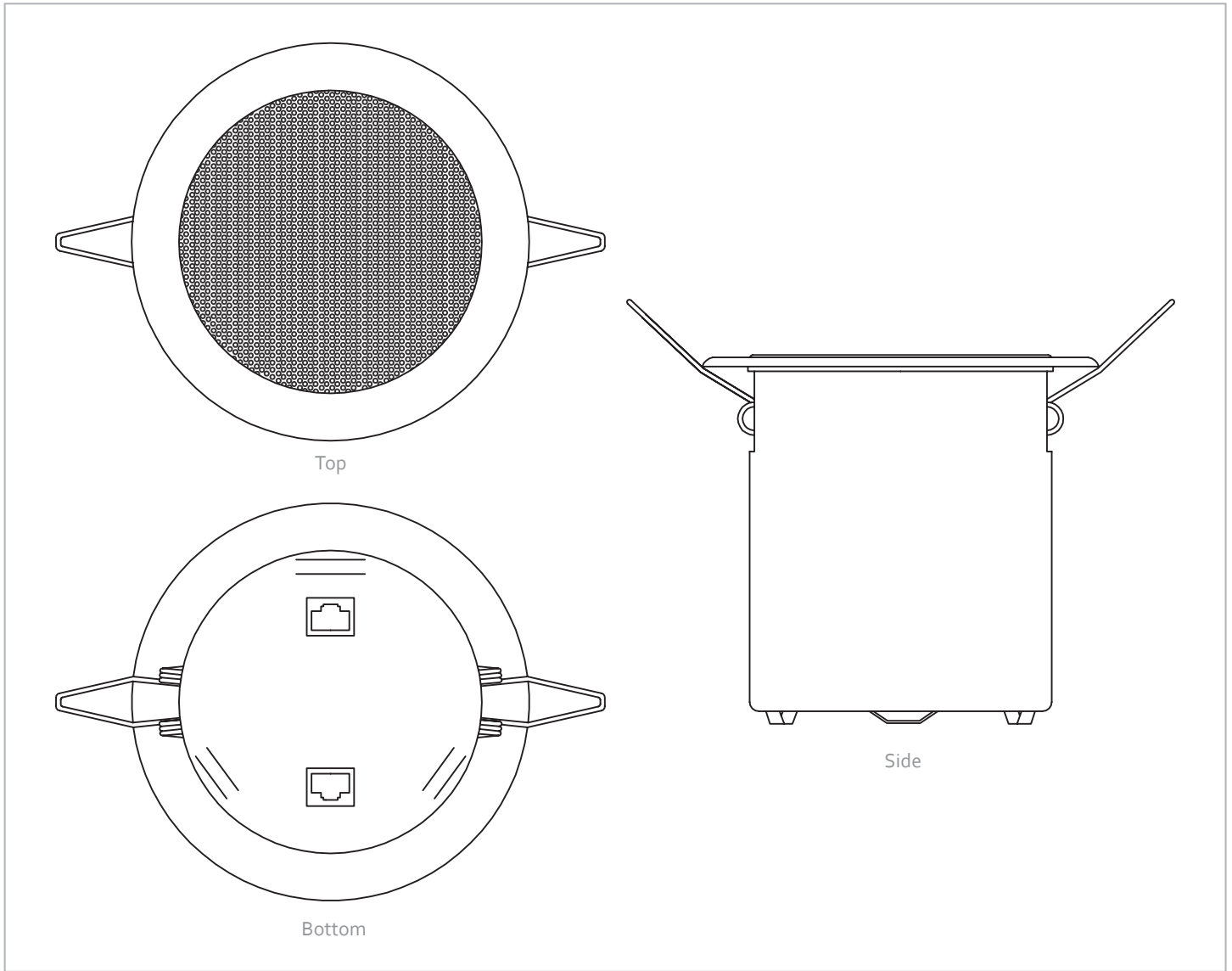
1. Refer to the sound masking layout (drawing) provided to locate the appropriate speaker installation position.
2. Cut a 4.5" hole in the drywall or acoustical ceiling tile
3. Install the Cat 5e cable with standard RJ45 connector into the speaker
4. While lifting both torsion springs into a vertical position, slide the speaker into the hole until the grill is flush with the drywall or acoustical ceiling tile; the torsion springs should hold the speaker firmly in place

Note: If a tile bridge is being installed. After hole is cut in the tile, lay tile bridge across the tile grid. Push the torsion springs back on speaker and put speaker through both ceiling tile and tile bridge before releasing springs to hold speaker in place in tile bridge.

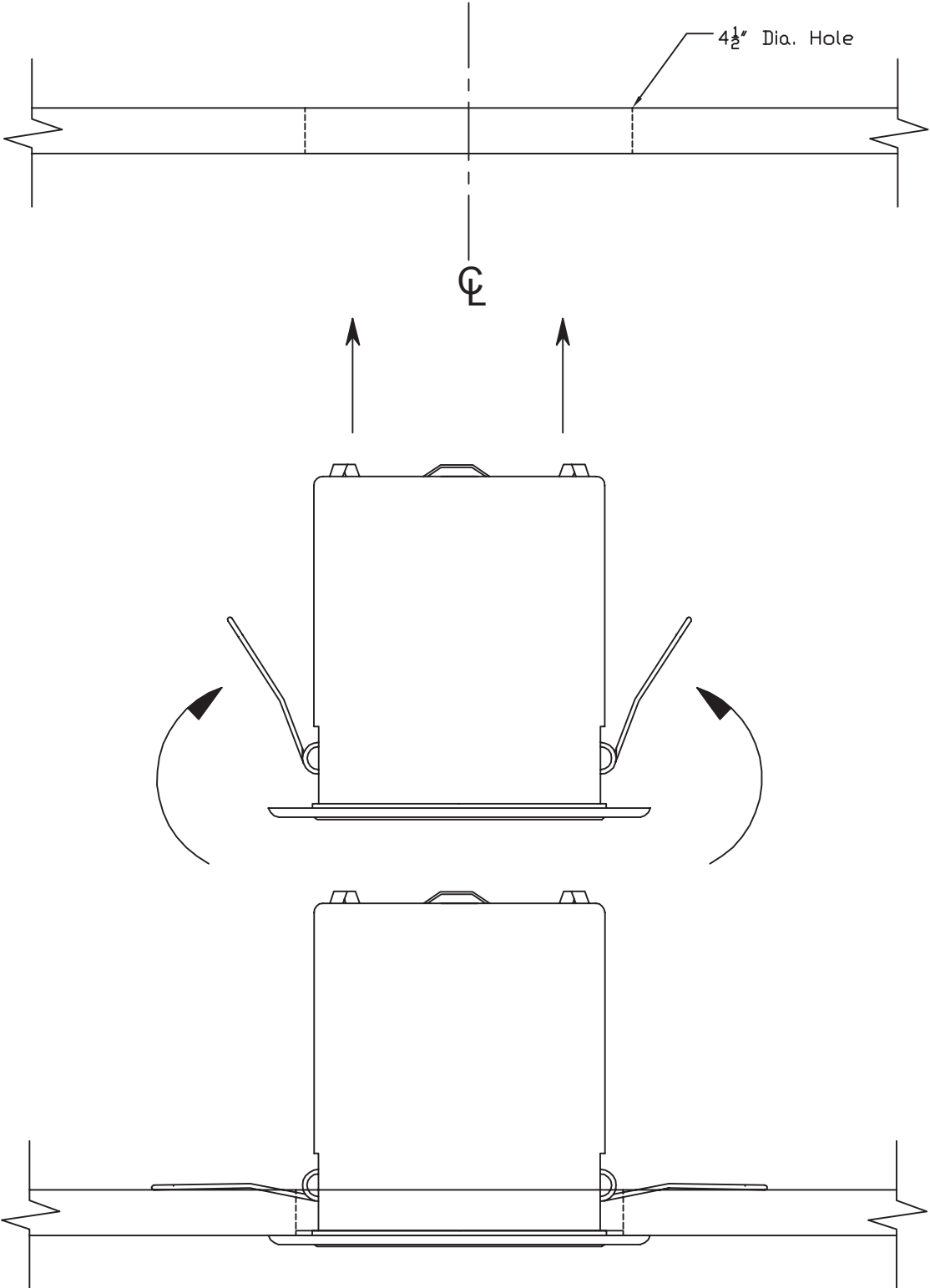
WIRING INSTRUCTIONS

1. For first speaker connection to OP: Connect the audio cable– 8 conductor CAT5 from OP channel (either A, B, C, or D) to INPUT of speaker.
2. For speaker to speaker connection: Connect audio cable– 8 conductor from OUTPUT of previous speaker to INPUT of next. Follow the same series connections to add up to 8 speakers per channel. The last speaker in any channel will have only one cable going to its INPUT only. There will be no cable connected to the output.

INSTALLATION DIAGRAMS



INSTALLATION DIAGRAMS



For additional Technical Support call: 516-682-9292

Lencore Acoustics Corp.
1 Crossways Park Drive West
Woodbury, NY 11797
516-682-9292
info@lencore.com
www.lencore.com